

APPENDIX 131A

UNITIZATION PROCEDURES FOR BOXED AMMUNITION AND COMPONENTS ON 4-WAY ENTRY PALLETS

IGNITER, BLASTING TIME FUSE, PACKED 250 PER
WOODEN BOX, UNITIZED 24 BOXES PER 35" X 45 $\frac{1}{2}$ "
PALLET; APPROX BOX SIZE 22 $\frac{15}{16}$ " L X 11 $\frac{3}{4}$ " W X 7 $\frac{13}{16}$ " H

PALLET UNIT DATA						
ITEMS INCLUDED		HAZARD CLASSIFICATION				WEIGHT
NSN	DODIC	DOT CLASS	CG CLASS	QD CLASS	COMP GROUP	(LBS)
1375-00-028-5200	M766	C	I	1.4	S	1,270

NOTICE: THIS APPENDIX CANNOT STAND ALONE BUT MUST BE USED IN CONJUNCTION WITH THE BASIC UNITIZATION PROCEDURES DRAWING 19-48-4116-20PA1002.

REVISIONS			DRAFTSMAN <i>BRK</i>	PROJ ENG <i>WRF/LAW</i>
			CHECKER <i>GGG</i>	LOG ENGRG OFFICE <i>W. B. Smith</i>
APPROVED, U. S. ARMY ARMAMENT MATERIEL READINESS COMMAND			<i>W. B. Smith</i> DRAFR - LEG	<i>W. B. Smith</i> DRAFR - TMD
APPROVED BY ORDER OF COMMANDING GENERAL, U. S. ARMY MATERIEL DEVELOPMENT AND READINESS COMMAND (DARCOM)				
<i>John A. Boyd Jr.</i> U. S. ARMY DEFENSE AMMUNITION CENTER AND SCHOOL				
U. S. ARMY DARCOM DRAWING				
MAY 1982				
CLASS	DIVISION	DRAWING	FILE	
19	48	4116/ 131A	20PA 1002	

DO NOT SCALE

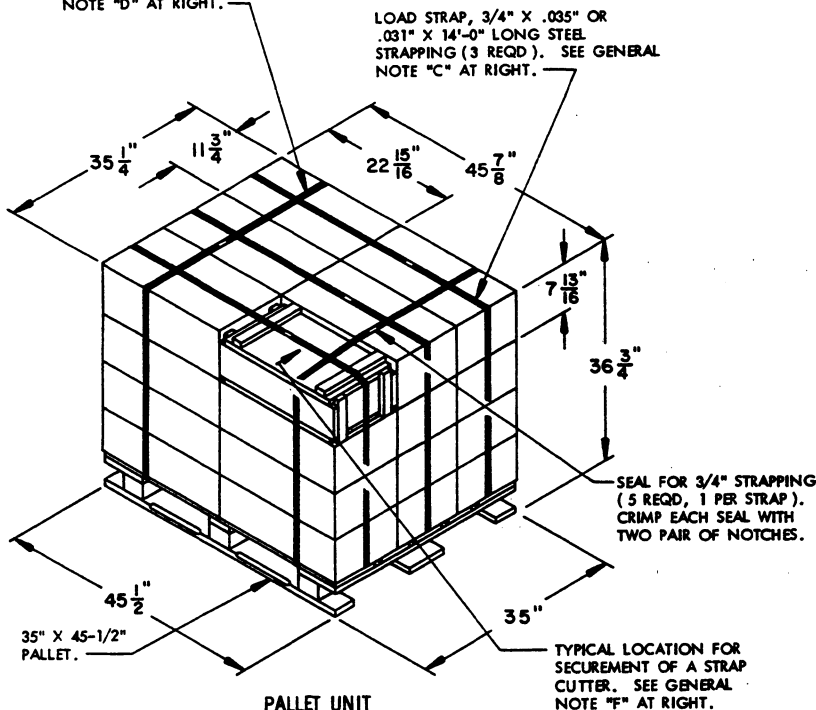
TIEDOWN STRAP, 3/4" X .035" OR .031" X 12'-2"
LONG STEEL STRAPPING (2 REQD). SEE GENERAL
NOTE "D" AT RIGHT.

LOAD STRAP, 3/4" X .035" OR
.031" X 14'-0" LONG STEEL
STRAPPING (3 REQD). SEE GENERAL
NOTE "C" AT RIGHT.

GENERAL NOTES

- A. THIS APPENDIX CANNOT STAND ALONE BUT MUST BE USED IN CONJUNCTION WITH THE BASIC UNITIZATION PROCEDURES DRAWING 19-48-4116-20PA1002. TO PRODUCE AN APPROVED UNIT LOAD, ALL PERTINENT PROCEDURES, SPECIFICATIONS AND CRITERIA SET FORTH WITHIN THE BASIC DRAWING WILL APPLY TO THE PROCEDURES DELINEATED IN THIS APPENDIX. ANY EXCEPTIONS TO THE BASIS PROCEDURES ARE SPECIFIED IN THIS APPENDIX.
- B. DIMENSIONS, CUBE AND WEIGHT OF A PALLET UNIT WILL VARY SLIGHTLY DEPENDING UPON THE ACTUAL DIMENSIONS OF THE BOXES AND THE WEIGHT OF THE SPECIFIC ITEM BEING UNITIZED.
- C. THE LOAD STRAPS MAY BE THREADED THROUGH THE STRAP SLOTS OF A PALLET OR PRE-POSITIONED ON THE PALLET DECK PRIOR TO PLACING BOXES ON THE PALLT. LOAD STRAPS MUST NOT BE TENSIONED AND SEALED UNTIL TIEDOWN STRAPS HAVE BEEN TENSIONED AND SEALED.
- D. INSTALL EACH TIEDOWN STRAP TO PASS UNDER THE TOP DECK BOARDS OF THE PALLET AND TO BE LOCATED AS SHOWN.
- E. THE FOLLOWING DARCOM DRAWINGS ARE APPLICABLE FOR OUT-LOADING AND STORAGE OF THE ITEMS COVERED BY THIS APPENDIX.

CARLOADING	-----	DRAWING 19-48-4115-5PA1002
TRUCKLOADING	-----	DRAWING 19-48-4117-11PA1003
STORAGE	-----	DRAWING 19-48-4118-1-2-3-4-14-22PA1002
- F. FOR METHOD OF SECURING A STRAP CUTTER TO THE PALLET UNIT, SEE DARCOM DRAWING 19-48-4127-20P1000.
- G. IF ITEMS COVERED HEREIN ARE UNITIZED PRIOR TO ISSUANCE OF THIS APPENDIX, THE BOXES NEED NOT BE REUNITIZED SOLELY TO CONFORM TO THIS APPENDIX.
- H. THE UNITIZATION PROCEDURES DEPICTED HEREIN MAY ALSO BE USED FOR UNITIZING IGNITERS WHEN IDENTIFIED BY DIFFERENT NATIONAL STOCK NUMBERS (NSN) THAN WHAT IS SHOWN ON THE TITLE PAGE, PROVIDED THE BOX PACK DOES NOT VARY FROM WHAT IS DELINEATED HEREIN. THE EXPLOSIVE CLASSIFICATION OF OTHER ITEMS MAY BE DIFFERENT THAN WHAT IS SHOWN.



PALLET UNIT

SEE GENERAL NOTE "B" AT RIGHT.

24 BOXES OF IGNITERS (250 PER BOX) @ 50 LBS	-----	1,200 LBS (APPROX)
DUNNAGE	-----	5 LBS
PALLET	-----	65 LBS
TOTAL WEIGHT	-----	1,270 LBS (APPROX)
CUBE	-----	34.4 CU FT (APPROX)

BILL OF MATERIAL

PALLET, 35" X 45-1/2"	-----	1 REQD	-----	65 LBS
STEEL STRAPPING, 3/4"	-----	66.33' REQD	-----	4.74 LBS
SEAL FOR 3/4" STRAPPING	-----	5 REQD	-----	NIL

TIE PIECE, 1" X 4" X BOX WIDTH
(2 REQD). NAIL TO LONGITUDINAL
PIECES W/2-6d NAILS AT EACH
END AND TO LATERAL PIECE
W/2-6d NAILS.

