

APPENDIX 7A

UNITIZATION PROCEDURES FOR BOXED AMMUNITION AND COMPO- NENTS ON 4-WAY ENTRY PALLETS

**CARTRIDGE, 7.62MM, PACKED VARIOUS QUANTI-
TIES PER M2 SERIES METAL CONTAINER, 2 CON-
TAINERS PER WIREBOUND BOX, UNITIZED 48 BOX-
ES PER 40" X 48" PALLET; APPROX BOX SIZE 14-
1/2" L X 12-3/4" W X 8-3/8" H**

**NOTICE: THIS APPENDIX CANNOT STAND ALONE BUT MUST BE USED IN CONJUNCTION WITH THE BASIC UNITIZATION
PROCEDURES DRAWING 19-48-4116-20PA1002.**

DISTRIBUTION STATEMENT A:

**APPROVED FOR PUBLIC RELEASE
DISTRIBUTION IS UNLIMITED.**

U.S. ARMY MATERIEL COMMAND DRAWING

<p>APPROVED, COMBAT CAPABILITIES DEVELOPMENT COMMAND ARMAMENTS CENTER</p> <p>HANSENEN.JO. Digitally signed by HANSENEN.JOSEPH.W. 1376495538 Date: 2020.11.16 11:56:19 -06'00'</p> <p>SEPH.W.1376 495538</p> <p style="text-align: right;">FCDD-ACE-LTP</p>	<p>CAUTION: VERIFY PRIOR TO USE AT https://www.dau.edu/cop/ammo/Pages/Default.aspx THAT THIS IS THE MOST CURRENT VERSION OF THIS DOCUMENT. THIS IS PAGE 1 OF 4.</p>																									
<p>APPROVED, U.S. ARMY JOINT MUNITIONS COMMAND</p> <p>WARD.GINA. Digitally signed by WARD.GINA.M.1369379808 Date: 2020.11.17 16:13:13 -06'00'</p> <p>M.1369379808</p> <p style="text-align: right;">AMSJM-MLT</p>	<p>DO NOT SCALE</p>		<p>NOVEMBER 1979</p>																							
<p>APPROVED BY ORDER OF COMMANDING GENERAL, U.S. ARMY MATERIEL COMMAND</p> <p>SMITH.THERESA. Digitally signed by SMITH.THERESA.ANN.1009147 639 Date: 2020.11.18 07:08:01 -06'00'</p> <p>ANN.1009147639</p>	<table border="1" style="width: 100%; border-collapse: collapse;"> <tr> <td style="width: 15%;">DESIGN ENGINEER</td> <td style="width: 15%;">BASIC</td> <td colspan="2" style="text-align: center;">GEORGE B. FECKE</td> </tr> <tr> <td></td> <td>REV.</td> <td colspan="2" style="text-align: center;">MADELINE BANKS</td> </tr> </table>	DESIGN ENGINEER	BASIC	GEORGE B. FECKE			REV.	MADELINE BANKS		<table border="1" style="width: 100%; border-collapse: collapse;"> <tr> <td style="width: 50%;">REVISION NO. 6</td> <td style="width: 50%;">OCTOBER 2020</td> </tr> </table>	REVISION NO. 6	OCTOBER 2020	<p>SEE THE REVISION LISTING ON PAGE 2</p>													
DESIGN ENGINEER	BASIC	GEORGE B. FECKE																								
	REV.	MADELINE BANKS																								
REVISION NO. 6	OCTOBER 2020																									
	<table border="1" style="width: 100%; border-collapse: collapse;"> <tr> <td style="width: 25%;">ENGINEERING DIVISION</td> <td style="width: 25%;">FIEFFER.LAUR A.A.1230375727</td> <td colspan="2" style="font-size: small;">Digitally signed by FIEFFER.LAURA.A.1230375727 Date: 2020.10.21 14:38:43 -05'00'</td> </tr> <tr> <td>TEST ENGINEER</td> <td>FELICIANO.AD IN.1259200373</td> <td colspan="2" style="font-size: small;">Digitally signed by FELICIANO.ADIN.1259200373 Date: 2020.10.26 10:25:23 -05'00'</td> </tr> <tr> <td>TEST REPORT</td> <td style="text-align: center;">NA</td> <td colspan="2"></td> </tr> <tr> <td>EXPLOSIVE SAFETY DIRECTORATE</td> <td>THOMAS.CARL.ANT HONY.1104621372</td> <td colspan="2" style="font-size: small;">Digitally signed by THOMAS.CARL.ANTHONY.11046 21372 Date: 2020.11.02 09:10:13 -06'00'</td> </tr> </table>	ENGINEERING DIVISION	FIEFFER.LAUR A.A.1230375727	Digitally signed by FIEFFER.LAURA.A.1230375727 Date: 2020.10.21 14:38:43 -05'00'		TEST ENGINEER	FELICIANO.AD IN.1259200373	Digitally signed by FELICIANO.ADIN.1259200373 Date: 2020.10.26 10:25:23 -05'00'		TEST REPORT	NA			EXPLOSIVE SAFETY DIRECTORATE	THOMAS.CARL.ANT HONY.1104621372	Digitally signed by THOMAS.CARL.ANTHONY.11046 21372 Date: 2020.11.02 09:10:13 -06'00'		<table border="1" style="width: 100%; border-collapse: collapse;"> <tr> <td style="width: 12.5%;">CLASS</td> <td style="width: 12.5%;">DIVISION</td> <td style="width: 12.5%;">DRAWING</td> <td style="width: 12.5%;">FILE</td> </tr> <tr> <td style="text-align: center;">19</td> <td style="text-align: center;">48</td> <td style="text-align: center;">4116/ 7A</td> <td style="text-align: center;">20PA1002</td> </tr> </table>	CLASS	DIVISION	DRAWING	FILE	19	48	4116/ 7A	20PA1002
ENGINEERING DIVISION	FIEFFER.LAUR A.A.1230375727	Digitally signed by FIEFFER.LAURA.A.1230375727 Date: 2020.10.21 14:38:43 -05'00'																								
TEST ENGINEER	FELICIANO.AD IN.1259200373	Digitally signed by FELICIANO.ADIN.1259200373 Date: 2020.10.26 10:25:23 -05'00'																								
TEST REPORT	NA																									
EXPLOSIVE SAFETY DIRECTORATE	THOMAS.CARL.ANT HONY.1104621372	Digitally signed by THOMAS.CARL.ANTHONY.11046 21372 Date: 2020.11.02 09:10:13 -06'00'																								
CLASS	DIVISION	DRAWING	FILE																							
19	48	4116/ 7A	20PA1002																							

PALLET UNIT DATA				
ITEMS INCLUDED		*HAZARD CLASS AND DIVISION	*COMPATI- BILITY GROUP	APPROX WEIGHT (LBS)
NSN	DODIC			
1305-				
00-882-5677	A112	1.4	S	3,257
00-892-4152	A122	1.4	S	3,617
00-914-4676	A122	1.4	S	3,622
00-882-5678	A124	1.4	S	3,617
00-147-2989	A130	1.4	S	3,593
00-542-1219	A130	1.4	S	3,569
00-555-4275	A130	1.4	S	3,569
00-752-8837	A130	1.4	S	3,569
00-914-4675	A130	1.4	S	3,569
00-064-2896	A136	1.4	S	3,622
00-828-8907	A140	1.4	S	3,617
00-926-4017	A140	1.4	S	3,622
00-935-9289	A166	1.4	S	3,622
00-935-9290	A167	1.4	S	3,622
01-120-0970	A171	1.4	S	3,622
01-419-8202	AA11	1.4	S	3,622
01-459-9535	AA37	1.4	S	2,974
01-598-5898	AB80	1.4	S	3,569
01-598-8201	AB82	1.4	S	3,622
01-606-7081	AB84	1.4	S	3,622
01-681-3523	AC35	1.4	S	3,454

*HAZARD CLASSIFICATION DATA CONTAINED IN THE ABOVE CHART IS FOR GUIDANCE AND INFORMATIONAL PURPOSES ONLY. VERIFICATION OF THE SPECIFIED DATA SHOULD BE MADE BY CONSULTING THE MOST RECENT JOINT HAZARD CLASSIFICATION SYSTEM LISTING OR OTHER APPROVED LISTING(S).

REVISIONS

REVISION NO. 1, DATED AUGUST 1984, CONSISTS OF:

ADDING ITEMS BY NATIONAL STOCK NUMBER TO THE "PALLET UNIT DATA" CHART.

REVISION NO. 2, DATED MARCH 1985, CONSISTS OF:

ADDING ITEMS BY NATIONAL STOCK NUMBER TO THE "PALLET UNIT DATA" CHART.

REVISION NO. 3, DATED AUGUST 1994, CONSISTS OF:

1. ADDING ITEMS BY NATIONAL STOCK NUMBER TO THE "PALLET UNIT DATA" CHART.
2. CHANGING WEIGHT OF ITEMS BY NATIONAL STOCK NUMBER IN THE "PALLET UNIT DATA" CHART.

REVISION NO. 4, DATED SEPTEMBER 2002, CONSISTS OF:

1. ADDING ITEMS BY NATIONAL STOCK NUMBER TO THE "PALLET UNIT DATA" CHART.
2. UPDATING THE DRAWING FORMAT.

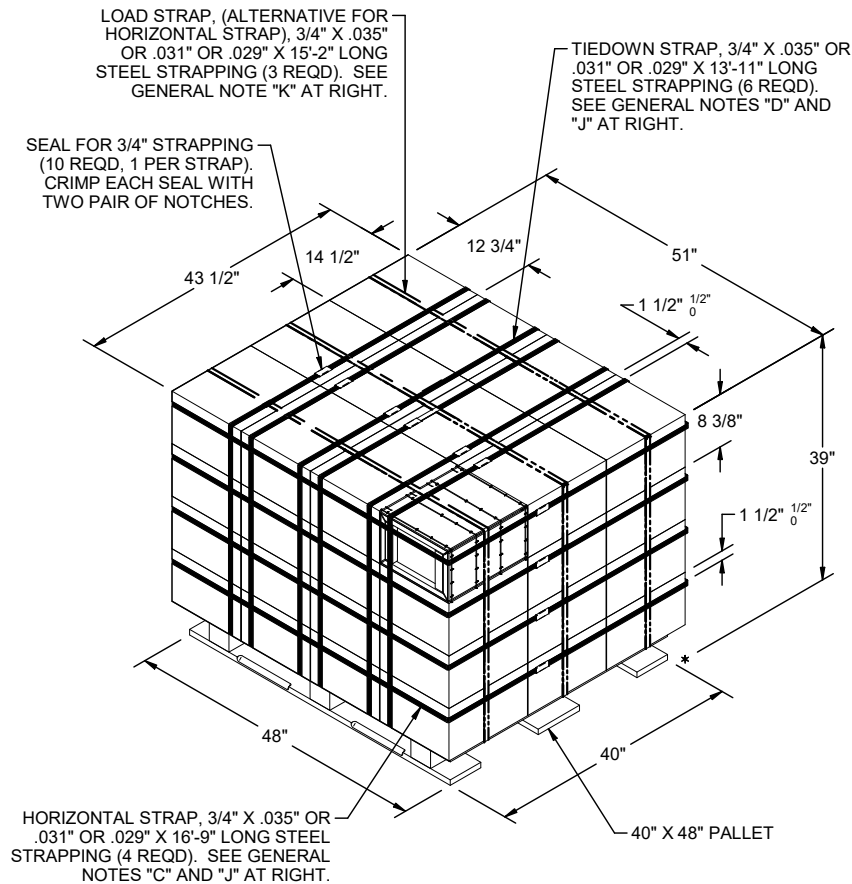
REVISION NO. 5, DATED APRIL 2013, CONSISTS OF CHANGES PER ECP R11K2042-1 (NOS. 1 AND 2) AND ECP R13K2012 (NO. 1) INCLUDING:

1. ADDING ITEMS BY NATIONAL STOCK NUMBER TO THE "PALLET UNIT DATA" CHART.
2. UPDATING CALLOUTS TO REFLECT THE .029" STRAP REFERENCE.

REVISION NO. 6, DATED OCTOBER 2020, CONSISTS OF CHANGES PER ECP R20S3001 (NO. 1) INCLUDING:

1. ADDING ITEM BY NATIONAL STOCK NUMBER TO THE "PALLET UNIT DATA" CHART.
2. DELETING ITEM BY NATIONAL STOCK NUMBER FROM THE "PALLET UNIT DATA" CHART.

GENERAL NOTES



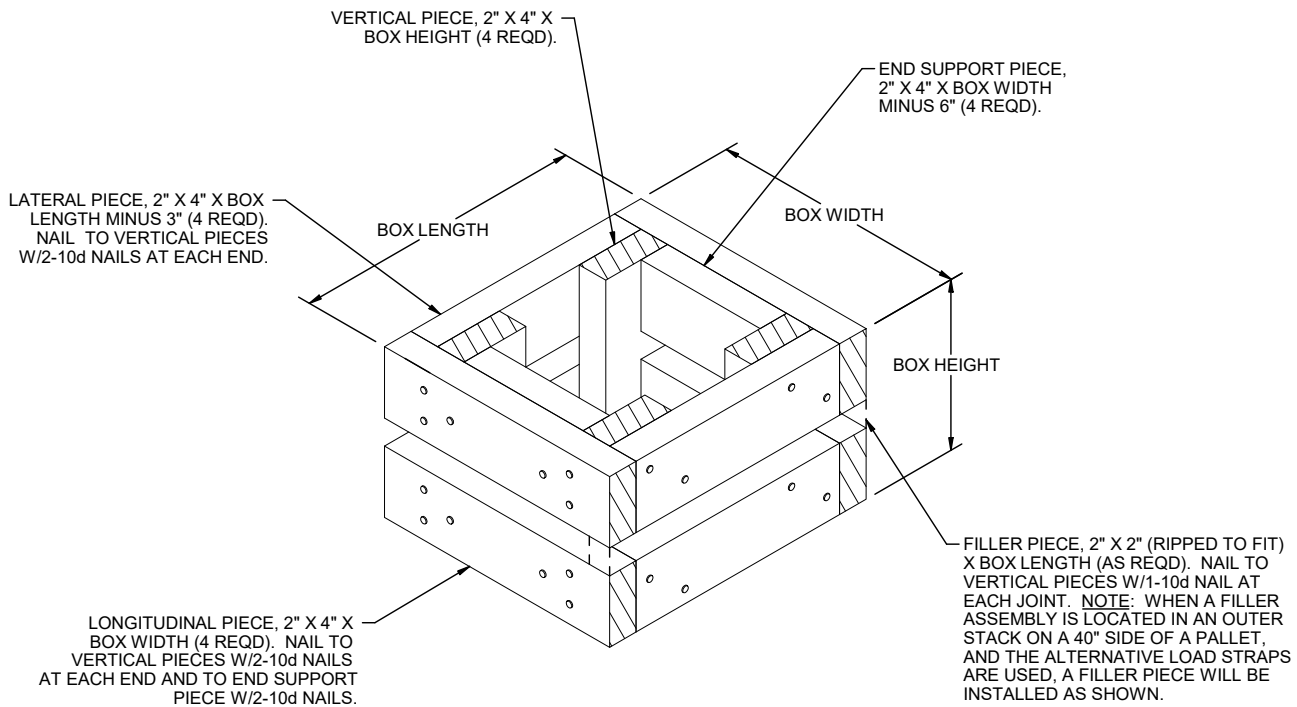
PALLET UNIT
SEE GENERAL NOTE "B" AT RIGHT.

48 BOXES OF 7.62MM CARTRIDGE (920 PER BOX) @ 73.5 LBS	-	3,528 LBS (APPROX)
DUNNAGE	-	14 LBS
PALLET	-	80 LBS
TOTAL WEIGHT	-	3,622 LBS (APPROX)
CUBE	-	50.1 CU FT (APPROX)

BILL OF MATERIAL			
PALLET, 40" X 48"	- - - - -	1 REQD	- - 80 LBS
STEEL STRAPPING, 3/4"	- - - - -	150.50' REQD	- 13.44 LBS
SEAL FOR 3/4" STRAPPING	- - - - -	10 REQD	- - - - - NIL

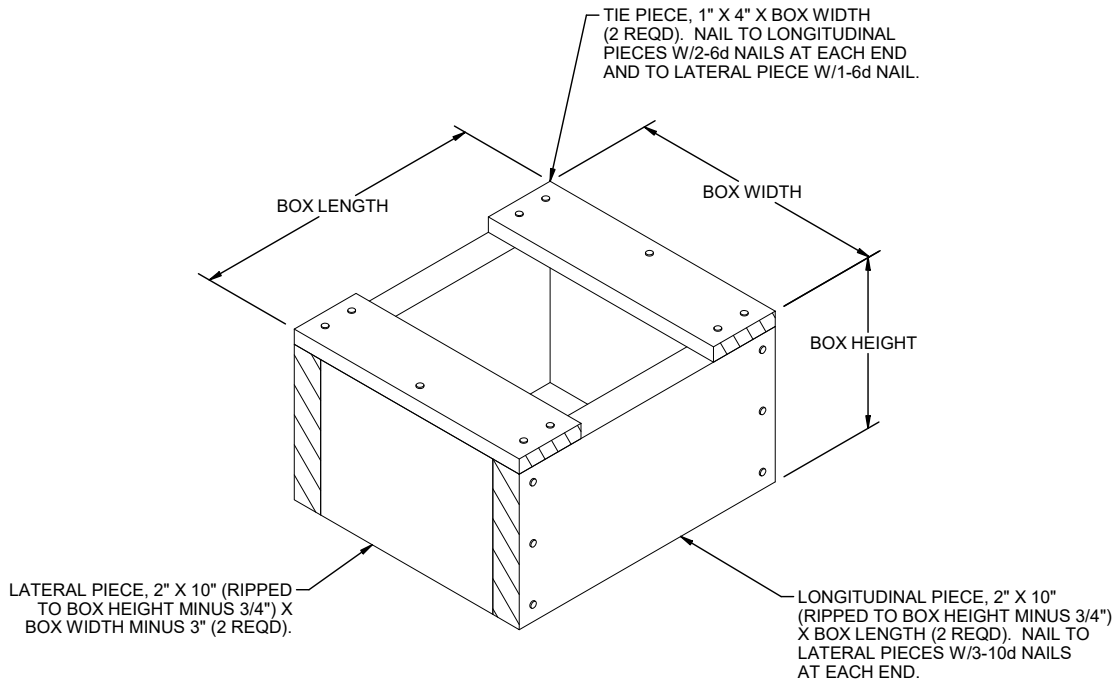
- A. THIS APPENDIX CANNOT STAND ALONE BUT MUST BE USED IN CONJUNCTION WITH THE BASIC UNITIZATION PROCEDURES DRAWING 19-48-4116-20PA1002. TO PRODUCE AN APPROVED UNIT LOAD, ALL PERTINENT PROCEDURES, SPECIFICATIONS AND CRITERIA SET FORTH WITHIN THE BASIC DRAWING WILL APPLY TO THE PROCEDURES DELINEATED IN THIS APPENDIX. ANY EXCEPTIONS TO THE BASIC PROCEDURES ARE SPECIFIED IN THIS APPENDIX.
- B. DIMENSIONS, CUBE AND WEIGHT OF A PALLET UNIT WILL VARY SLIGHTLY DEPENDING UPON THE ACTUAL DIMENSIONS OF THE BOXES AND THE WEIGHT OF THE SPECIFIC ITEM BEING UNITIZED.
- C. INSTALL EACH HORIZONTAL STRAP TO ENCIRCLE A LAYER OF BOXES ON THE PALLET. NOTE THAT THE STRAPS WILL BE LOCATED AS SHOWN, NEAR THE TOP OF EACH LAYER. HORIZONTAL STRAPS MUST BE TENSIONED AND SEALED PRIOR TO THE APPLICATION OF TIEDOWN STRAPS.
- D. INSTALL EACH TIEDOWN STRAP TO PASS UNDER THE TOP DECK BOARDS OF THE PALLET. NOTE THAT THE STRAPS WILL BE LOCATED AS SHOWN, NEAR THE SIDE CLEATS OF THE END PANELS OF THE BOX. TIEDOWN STRAPS WILL NOT BE APPLIED UNTIL THE HORIZONTAL OR LOAD STRAPS, AS APPLICABLE, HAVE BEEN TENSIONED AND SEALED.
- E. THE FOLLOWING AMC DRAWINGS ARE APPLICABLE FOR OUTLOADING AND STORAGE OF THE ITEMS COVERED BY THIS APPENDIX.

CARLOADING	- - - -	19-48-4115-5PA1002
TRUCKLOADING	- - - -	19-48-4117-11PA1003
STORAGE	- - - -	19-48-4118-1-2-3-4-14-22PA1002
END OPENING ISO		
CONTAINER	- - - -	19-48-4153-15PA1002
MILVAN	- - - -	19-48-4166-15PA1003
SIDE OPENING ISO		
CONTAINER	- - - -	19-48-4267-15PA1009
- F. IF ITEMS COVERED HEREIN ARE UNITIZED PRIOR TO ISSUANCE OF THIS REVISION TO THIS APPENDIX, THE BOXES NEED NOT BE REUNITIZED SOLELY TO CONFORM TO THIS REVISION.
- G. THE UNITIZATION PROCEDURES DEPICTED HEREIN MAY ALSO BE USED FOR UNITIZING 7.62MM CALIBER CARTRIDGES WHEN IDENTIFIED BY DIFFERENT NATIONAL STOCK NUMBERS (NSN) THAN WHAT IS SHOWN ON PAGE 2, PROVIDED THE BOX PACK DOES NOT VARY FROM WHAT IS DELINEATED HEREIN. THE EXPLOSIVE CLASSIFICATION OF OTHER ITEMS MAY BE DIFFERENT THAN WHAT IS SHOWN.
- H. IF THE TOTAL WEIGHT OF A 48-BOX UNIT LOAD EXCEEDS 4,000 POUNDS, A SUFFICIENT NUMBER OF BOXES MUST BE REPLACED WITH "FILLER ASSEMBLIES", AS DEPICTED ON PAGE 4, SO THAT THE TOTAL UNIT WEIGHT IS EQUAL TO OR SLIGHTLY LESS THAN THE 4,000 POUND MAXIMUM ALLOWABLE UNIT WEIGHT.
- J. 1-1/4" STRAPS MAY BE SUBSTITUTED FOR THE 3/4" STRAPPING SPECIFIED IN THE "PALLET UNIT" AT LEFT. FOUR 1-1/4" TIEDOWN STRAPS WILL REPLACE THE SIX 3/4" TIEDOWN STRAPS SPECIFIED. REFER TO GENERAL NOTE "CC" IN THE BASIC UNITIZATION PROCEDURES DRAWING 19-48-4116-20PA1002 FOR ADDITIONAL GUIDANCE.
- K. LOAD STRAPS MAY BE USED IN LIEU OF HORIZONTAL STRAPS. LOAD STRAPS WILL BE LOCATED AS SHOWN IN THE DETAIL AT LEFT. LOAD STRAPS MAY BE PRE-POSITIONED ON THE PALLET DECK OR THREADED THROUGH STRAP SLOTS. **NOTICE:** WHEN LOAD STRAPS ARE BEING USED IN LIEU OF HORIZONTAL STRAPS, THE THREE OUTBOARD BOXES ON THE BOTTOM LAYER OF THE 40" SIDES OF THE PALLET WILL BE POSITIONED WITH THE TOPS DOWNWARD AND THE THREE OUTBOARD BOXES ON THE TOP LAYER OF THE 40" SIDES OF THE PALLET WILL BE POSITIONED WITH THE TOPS UPWARD. LOAD STRAPS MUST BE TENSIONED AND SEALED PRIOR TO THE APPLICATION OF TIEDOWN STRAPS.
- L. IF DEEMED MORE ECONOMICALLY FEASIBLE, THE ALTERNATIVE FILLER ASSEMBLY MAY BE SUBSTITUTED FOR THE FILLER ASSEMBLY TO COMPLETE A LAYER ON A PALLET.
- M. THE STYLE 1 PALLET DELINEATED IN THE DETAIL AT LEFT NEED NOT HAVE CHAMFERS OR STRAP SLOTS AS SPECIFIED WITHIN MILITARY SPECIFICATION MIL-P-15011 WHEN USED FOR THE UNITIZATION OF ITEMS COVERED BY THIS APPENDIX.
- N. FOR DETAILS OF THE WIREBOUND BOX SEE ARDEC DRAWING 7553347.



FILLER ASSEMBLY

(FOR MINUS ONE BOX)



ALTERNATIVE FILLER ASSEMBLY

(FOR MINUS ONE BOX)
SEE GENERAL NOTE "L" ON PAGE 3.